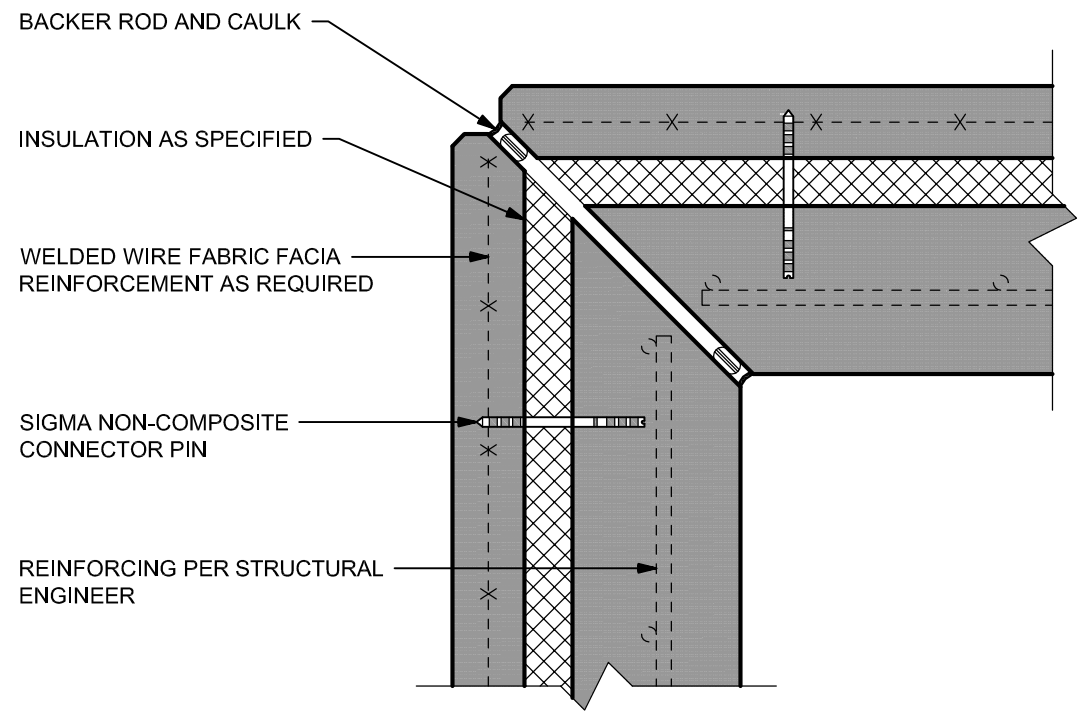


G:\A\2017\20170221\IP101.dwg 2/28/17 3:37 PM



A
P101

EXT. CORNER - MITERED

P101

1-1/2" = 1'-0"

CONSTRUCTION DOCUMENTS
 BASED ON DETAILS PROVIDED BY
 SIGMA DC WILL VARY ACCORDING
 TO PROJECT DEMANDS. REFER TO
 THE PROJECT ARCHITECT OR
 ENGINEER FOR SPECIFICATION
 DETAILS. ANY REPRODUCTION OF
 DETAILS IS THE LIABILITY OF THE
 ENGINEER OF RECORD, IN WHICH
 THEY WILL NEED TO VERIFY THAT
 ALL COMPONENTS WORK FOR
 THEIR SPECIFIC PROJECT.

3933 SW Kelly Avenue
 Portland, Oregon 97239
 503.222.4453
 VLMMK.COM

VLMMK
 ENGINEERING + DESIGN

SIGMA DG
 5019 NW 127TH ST.
 VANCOUVER, WASHINGTON 98685

DATE APR, 2017
 SCALE AS NOTED
 PROJ. NO. 20170221
 DRAWN JRN
 CHECKED JCS

P101

